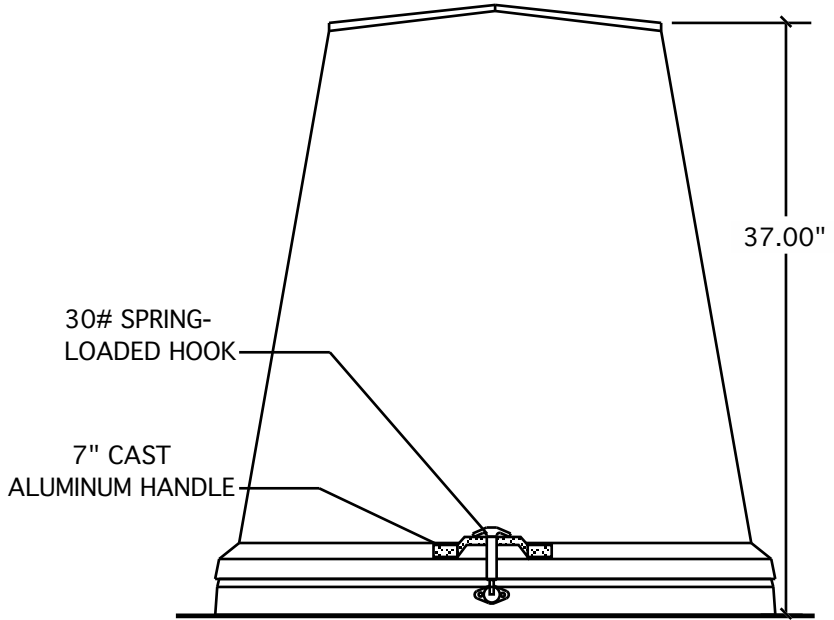
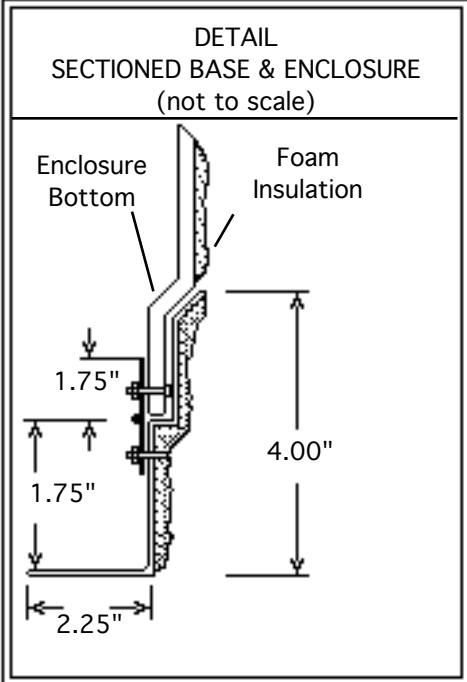
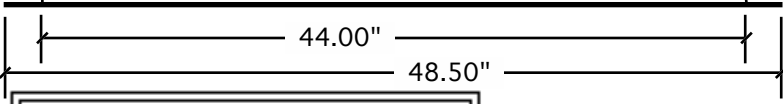
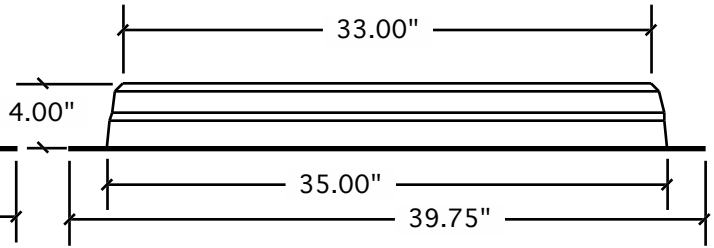
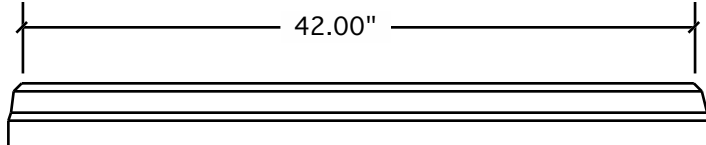
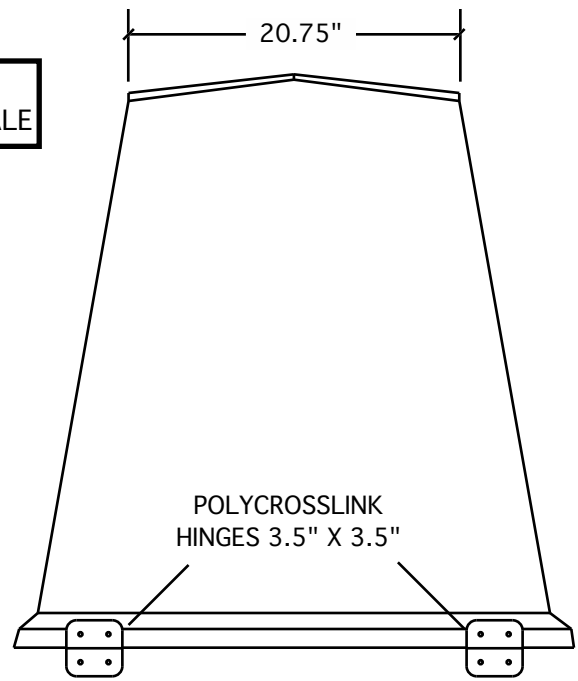


D-100
WHOLESALE



FRP Molded Shelter		D-100
Date: 5/01	Scale: 1"=1'	Dwn: JRP
P.O. Box 311 • Dyer, TN 38330		Ckd: CH
We've Got You Covered!	(731) 692-3986 Fax: (731) 692-4209	

The DYER WHOLESALE molded series is a one-piece fiberglass composite construction made with rigid thixotropic resins and 30% chopped glass to a thickness of 1/8". The enclosure is insulated with a 2 lb. poly-urethane foam with an average R-14 insulation value. The outside surface is white, polyester gelcoat with a UV inhibitor. The FRP base has a 2-1/4" mounting flange around the bottom for anchoring. The enclosure is equipped with a 7" cast aluminum handle, a 30# spring-loaded hook, and 3.5" non-metallic hinges. Fasteners are 1/4" stainless steel nuts & bolts. Other specs are available for special needs.