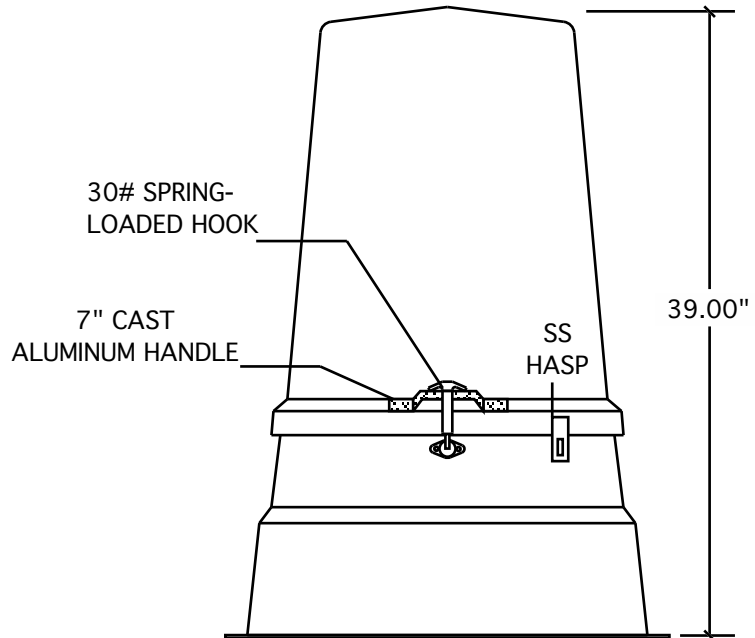
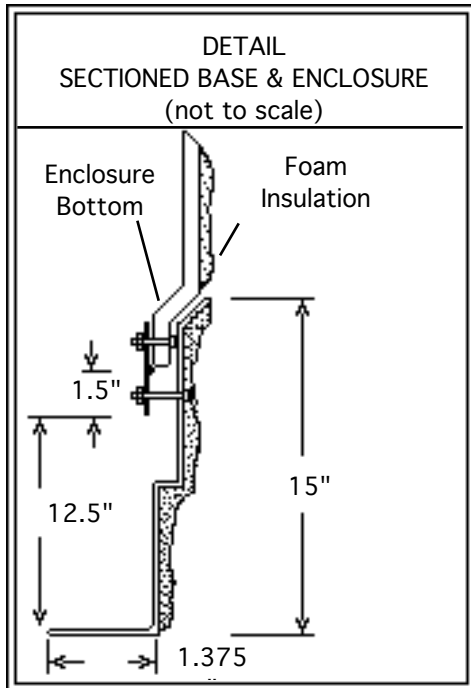
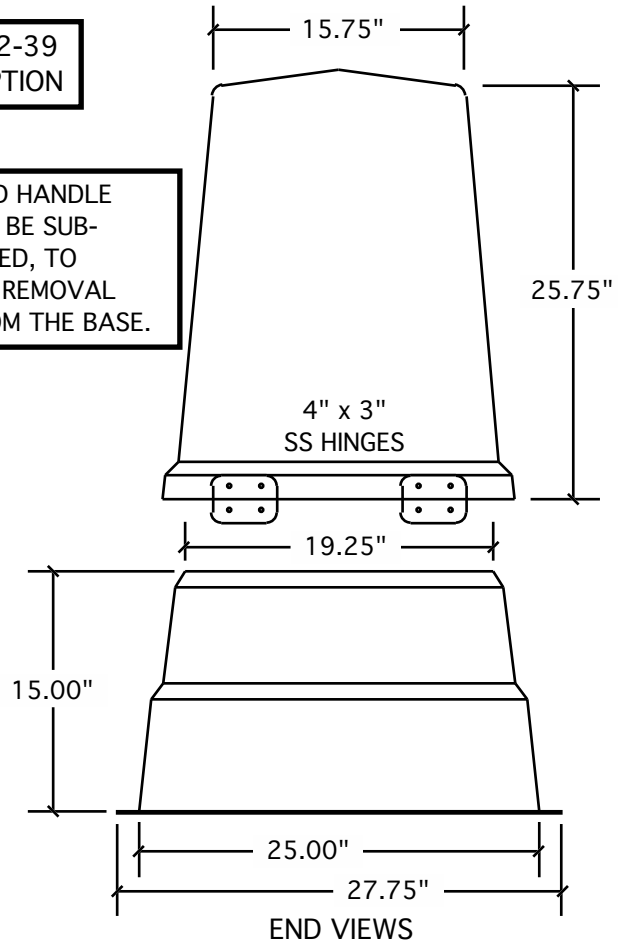


D-102-39
SS OPTION

NOTE: A HOOK AND HANDLE ON EACH END MAY BE SUBSTITUTED, IF DESIRED, TO ALLOW COMPLETE REMOVAL OF THE COVER FROM THE BASE.



The DYER SS OPTION molded series is a one-piece fiberglass composite construction made with rigid thixotropic resins and 30% chopped glass to a thickness of 1/8". The enclosure is insulated with a 2 lb. polyurethane foam with an average R-14 insulation value. The outside surface is white, or dark green, polyester gelcoat with a UV inhibitor. The FRP base has a 1-3/8" mounting flange around the bottom for anchoring. The enclosure is equipped with a 7" cast aluminum handle, a 30# spring-loaded hook, a stainless steel hasp, and 4" x 3" stainless steel hinges. Fasteners are 1/4" stainless steel nuts & bolts. An extra hook and handle may be substituted for the hinges, if requested. Other specs are available for special needs.

FRP Molded Shelter		D-102-39
Date: 7/01	Scale: 1"=1'	Dwn: JRP
P.O. Box 311 • Dyer, TN 38330		Ckd: CH
We've Got You Covered!	(731) 692-3986	Fax: (731) 692-4209