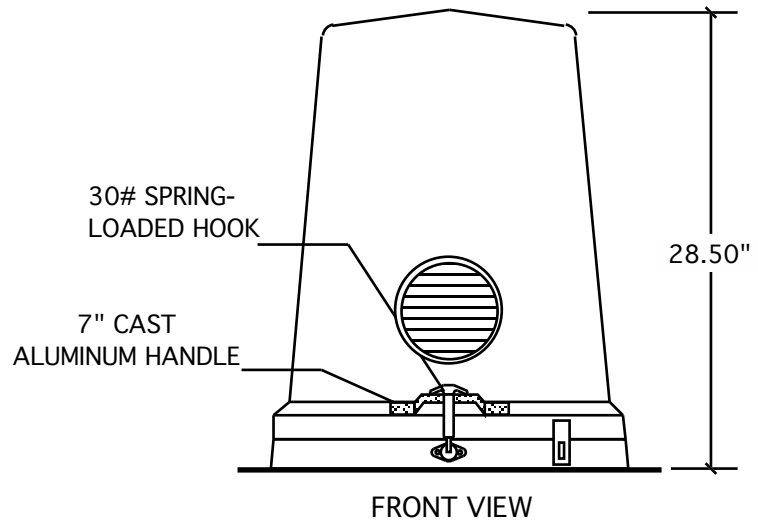
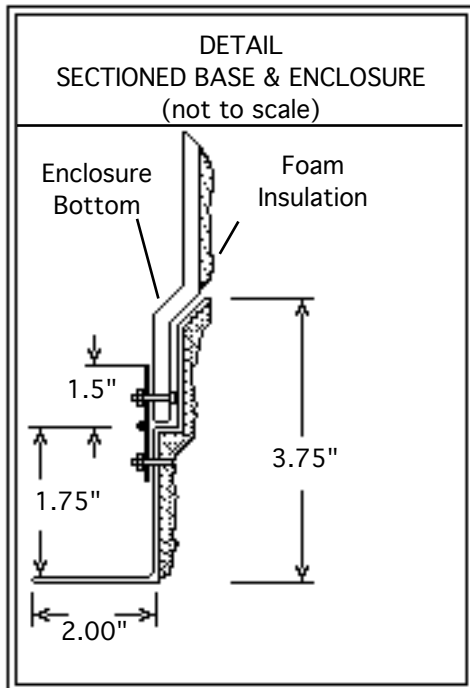
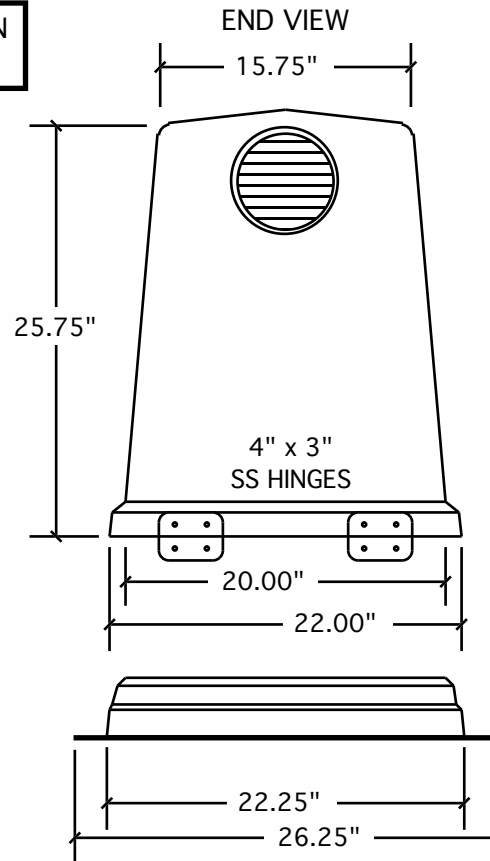


SS OPTION
D-102



The DYER SS OPTION model series is a one-piece fiberglass composite construction made with rigid thixotropic resins and 30% chopped strand glass to a thickness of approximately 1/8". The enclosure is insulated with a 2 lb. polyurethane foam with an R-14 value. The outside surface is white polyester gelcoat with a UV inhibitor. The FRP base has a 2" mounting flange around the bottom for anchoring. The enclosure is typically equipped with a 7" cast aluminum handle, a 30# spring-loaded hook, a stainless steel hasp, and a pair of 4" x 3" stainless steel hinges. However an extra hook, handle and hasp may be substituted for the hinges at no cost, if preferred. Fasteners are 1/4" stainless steel nuts & bolts.

	FRP Molded Shelter	D-102
Date: 5/01	Scale: 1"=1'	Dwn: JRP
P.O. Box 311 • Dyer, TN 38330		Ckd: CH
We've Got You Covered!	(731) 692-3986	Fax: (731) 692-4209

Dark Green gelcoat may be substituted for white, at no extra cost, if desired.