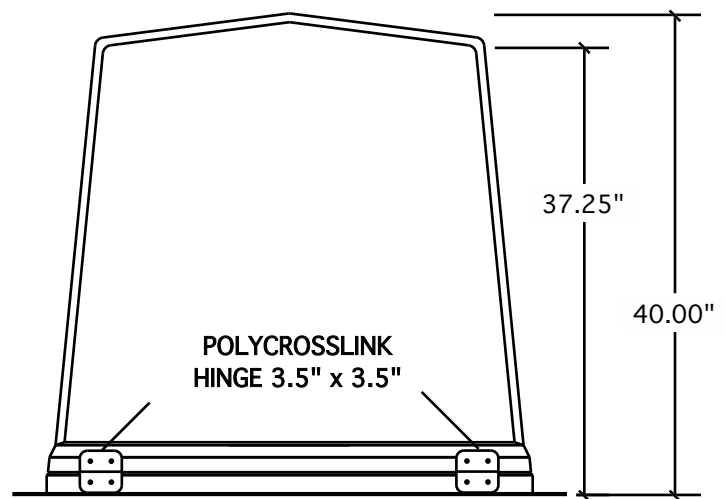


FRP Molded Shelter		D-207
Date: 5/01	Scale: 3/4"=1'	Dwn: JRP
P.O. Box 311 • Dyer, TN 38330		Ckd: CH
We've Got You Covered!	(731) 692-3986 Fax: (731) 692-4209	



The **DYER WHOLESALE** molded series is a one-piece fiberglass composite construction made with rigid thixotropic resins and 30% chopped strand glass to a thickness of 1/8". The enclosure is insulated with a 2 lb. polyurethane foam with an R-14 value. The outside surface is white polyester gelcoat with a UV inhibitor. The FRP base has a 2-3/4" mounting flange around the bottom for anchoring. The enclosure is equipped with a 7" cast aluminum handle, 30# spring-loaded hook on the front and 3-1/2" non-metallic hinges on the rear. Fasteners are 1/4" stainless steel nuts & bolts. Other specs are available for special needs.