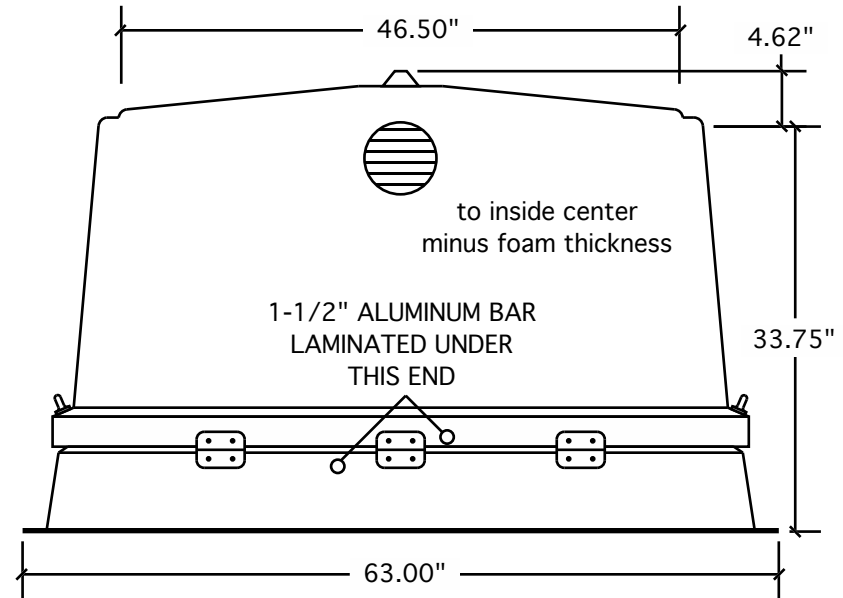
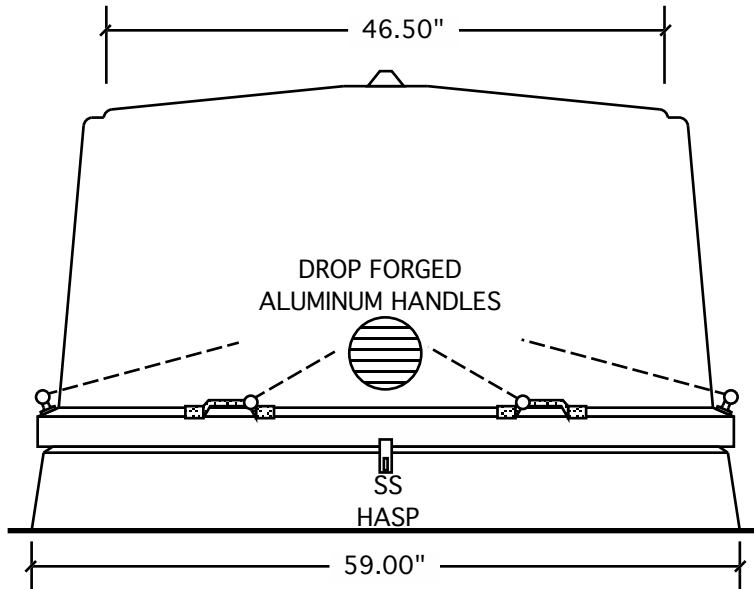


<b>D-301</b>	FRP Molded Shelter	
Date: 6/10	Scale: 3/4"=1'	Dwn: JRP
P.O. Box 311 • Dyer, TN 38330		Ckd: EP
We've Got You Covered!	(731) 692-3986 Fax: (731) 692-4209	



The **MODEL D-301** molded series is a two-piece fiberglass composite construction made with rigid thixotropic resins and 30% chopped strand glass to a thickness of about 3/16". The enclosure is insulated with 2 lb. density polyurethane foam for an R-19 insulation value. The outside surface is white polyester gelcoat with a UV inhibitor. The FRP base has a 2" mounting flange around the bottom for anchoring. Fasteners are 1/4" stainless steel nuts and bolts. Hinges are 4" x 3" stainless steel (unless a continuous piano hinge is requested.) Also included are (4) 7" aluminum handles and a 2" stainless steel hasp and staple. This drawing features a set of aluminum 6" adjustable vents.