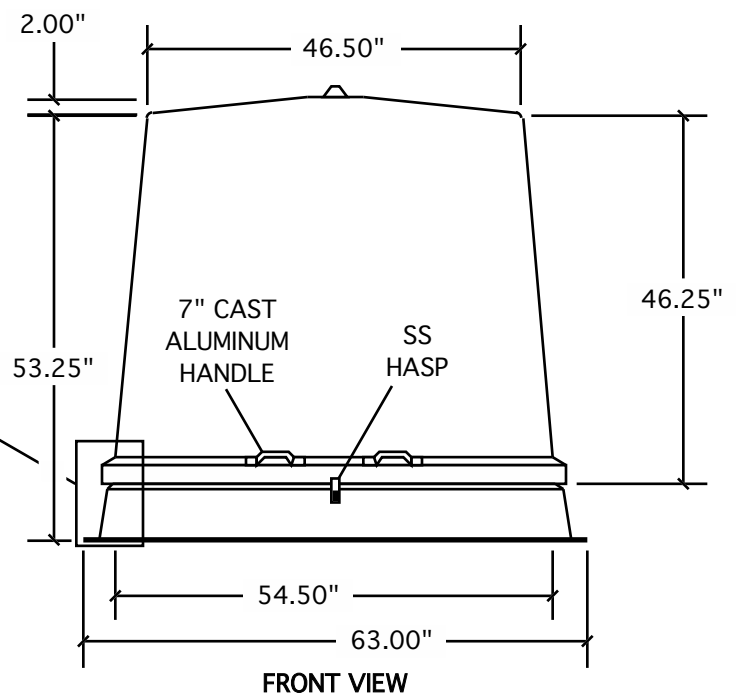
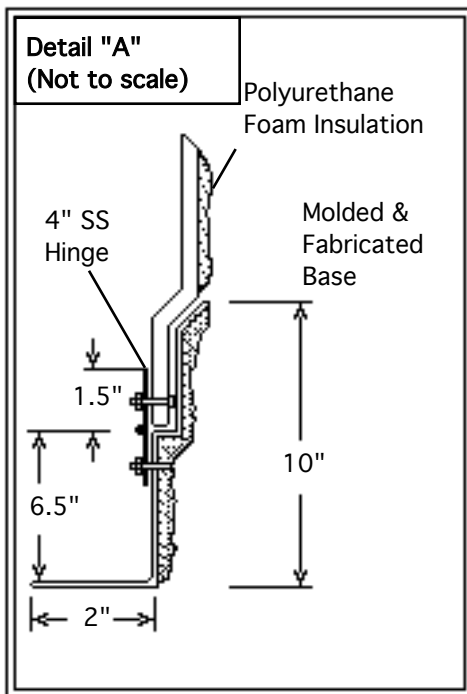


	FRP Molded Shelter	D-303
Date: 5/01	Scale: 1/2"=1'	Dwn: JRP
P.O. Box 311 • Dyer, TN 38330		Ckd: CH
We've Got You Covered!	(731) 692-3986 Fax: (731) 692-4209	



The **MODEL D-303** molded series is a two-piece fiberglass composite construction made with rigid thixotropic resins and 30% chopped strand glass to a thickness of about 3/16". The enclosure is insulated with 2 lb. density polyurethane foam for an R-19 insulation value. The outside surface is white polyester gelcoat with a UV inhibitor. The FRP base has a 2" mounting flange around the bottom for anchoring. Fasteners are 1/4" stainless steel nuts and bolts. Hinges are 4" x 3" stainless steel (unless a continuous piano hinge is requested.) Also included are (4) 7" aluminum handles and a 2" stainless steel hasp and staple. Vents or louvers may also be provided.