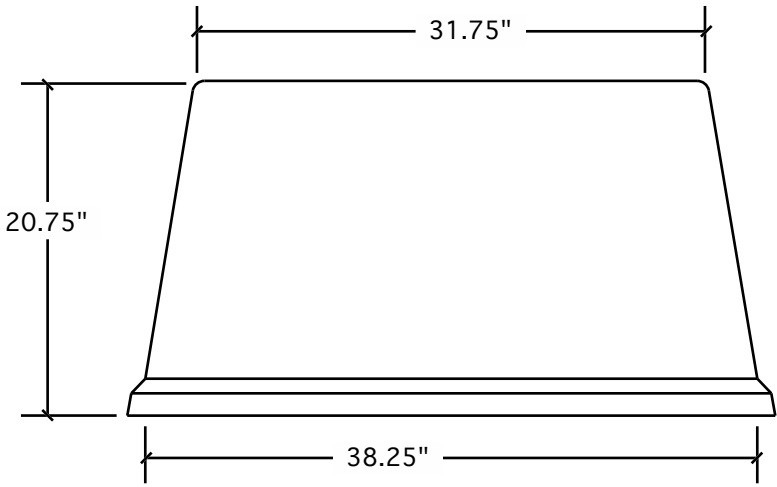
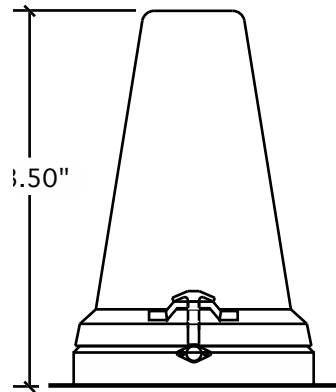
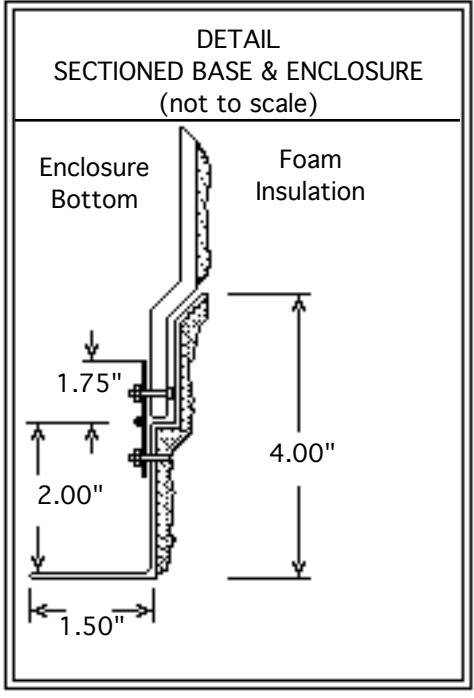
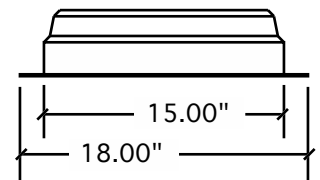
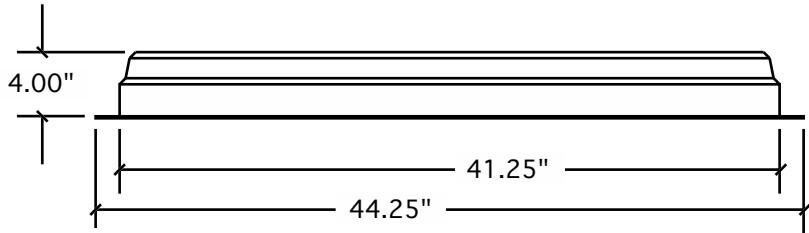
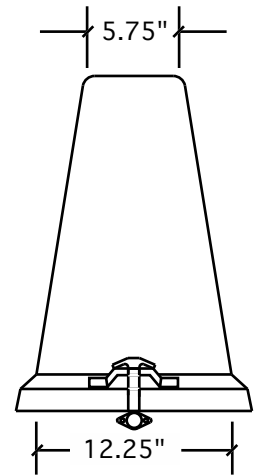


D-104

SIDE VIEW



END VIEW



	FRP Molded Shelter	D-104
Date: 0/01	Scale: 1"=1'	Dwn: JRP
P.O. Box 311 • Dyer, TN 38330		Ckd: CH
We've Got You Covered!	(731) 692-3986 Fax: (731) 692-4209	

The DYER FIBERGLASS D-104 molded series is a one piece fiberglass composite construction made with rigid thixotropic resins and 30% chopped strand glass to a thickness of 1/8". The enclosure is insulated with a 2 lb. polyurethane foam with a R-14 value. The outside surface is white polyester gelcoat with a UV inhibitor. The FRP base has a 1.5" mounting flange around the bottom for anchoring. The enclosure is equipped with 7" cast aluminum handles, and 30# spring-loaded hooks on the front and the rear. Fasteners are .25" stainless steel nuts & bolts.