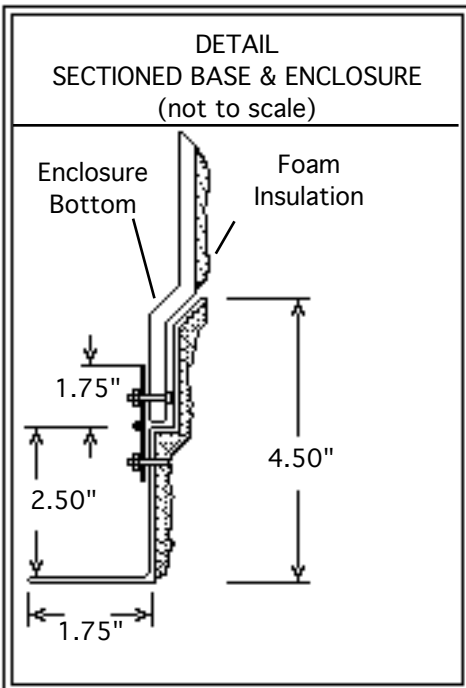
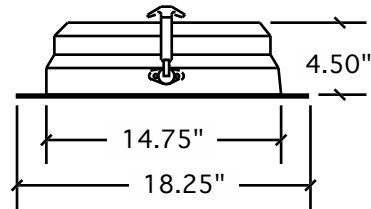
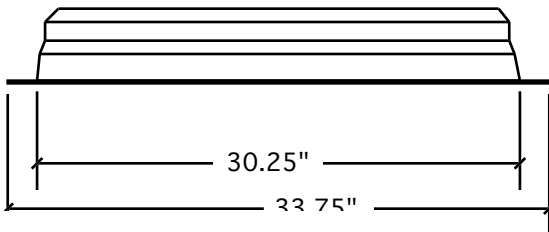
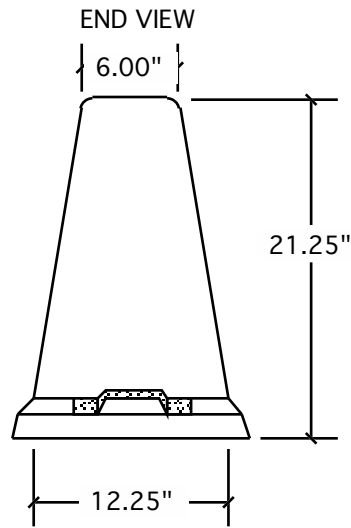
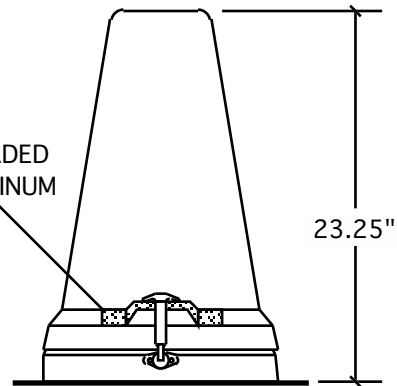


WHOLESALE
D-103



30# SPRING-LOADED
HOOK AND ALUMINUM
HANDLE



	FRP Molded Shelter	D-103
Date: 4/01	Scale: 1"=1'	Dwn: JRP
P.O. Box 311 • Dyer, TN 38330		Ckd: CH
We've Got You Covered!	(731) 692-3986 Fax: (731) 692-4209	

The DYER WHOLESALE molded series is a one-piece fiberglass composite construction made with rigid thixotropic resins and 30% chopped strand glass to a thickness of 1/8". The enclosure is insulated with a 2 lb. polyurethane foam with an R-14 value. The outside surface is white polyester gelcoat with a UV inhibitor. The FRP base has a 1-3/4" mounting flange around the bottom for anchoring. The enclosure is equipped with 7" cast aluminum handles and 30 lb. spring-loaded hooks on each end. Fasteners are stainless steel nuts & bolts. Other specs are available for special needs.

A set of polycrosslink hinges with stainless steel nuts and bolts may be substituted for one of the hook-and-handle sets at no charge.