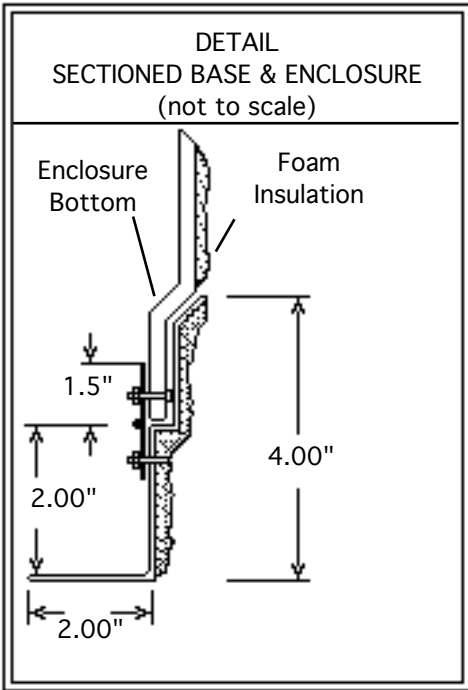
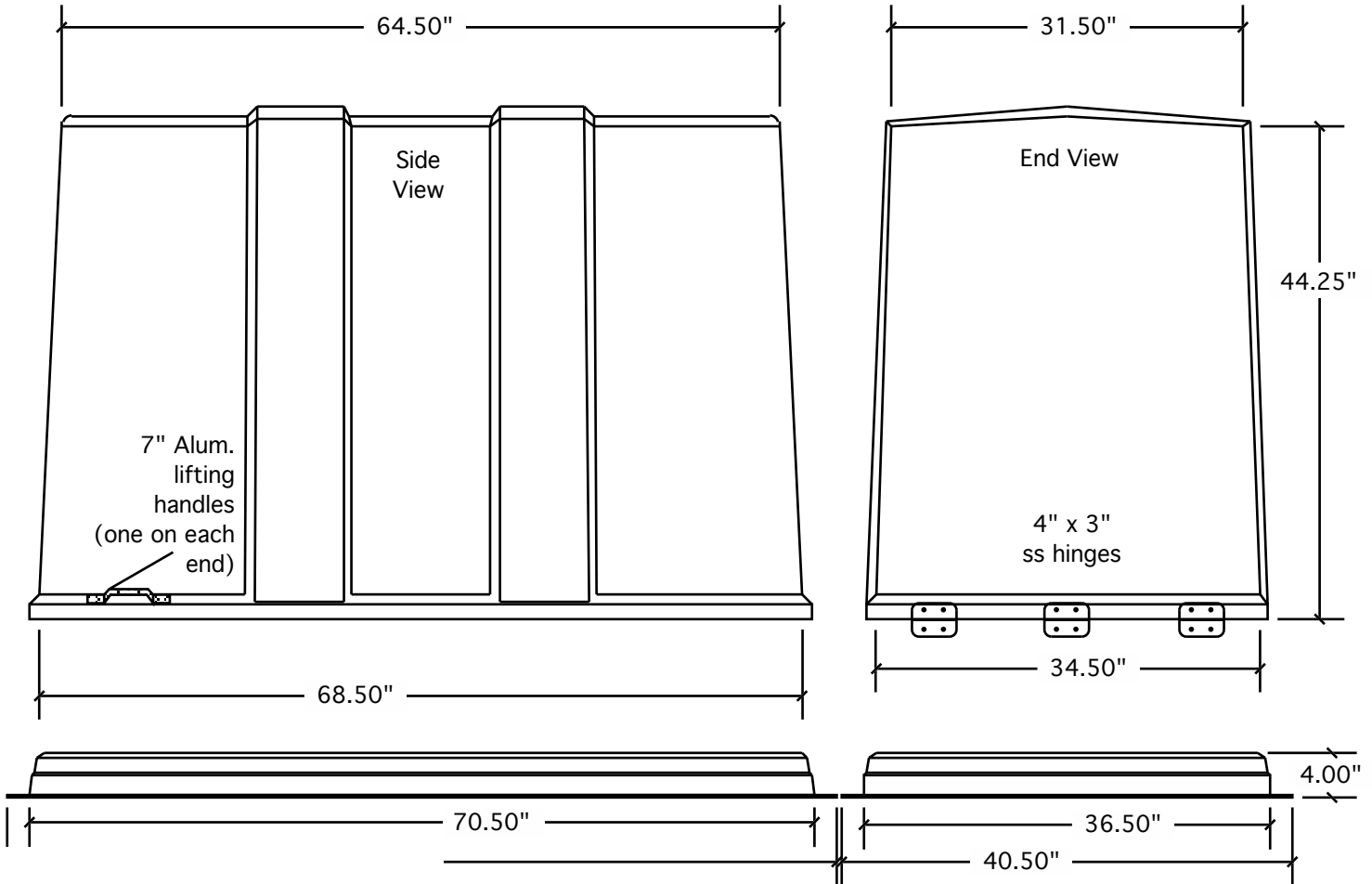
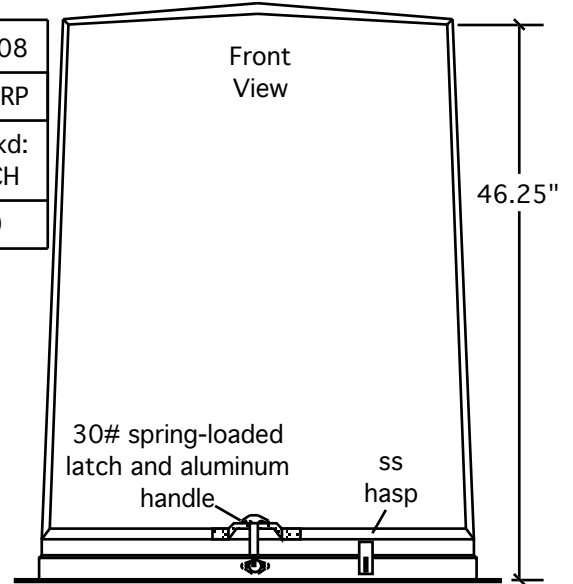


D-108 HDM



FRP Molded Shelter		D-108
Date: 8/01	Scale: 3/4"=1'	Dwn: JRP
P.O. Box 311 • Dyer, TN 38330		Ckd: CH
We've Got You Covered!	(731) 692-3986	Fax: (731) 692-4209



The HEAVY DUTY molded series is a one-piece fiberglass composite construction made with rigid thixotropic resins and 30% chopped strand glass to a thickness of about 3/16". The enclosure is insulated with 2 lb. density polyurethane foam for an R-19

insulation value. The outside surface is white polyester gelcoat with a UV inhibitor. The FRP base has a 2" mounting flange around the bottom for anchoring. Fasteners are 1/4" stainless steel nut and bolts and hinges are 4"x3" stainless steel. Front fasteners have a 7" aluminum handle with a 30 lb. spring-loaded latch and 2" stainless steel hasp and staple. Other options are available at extra cost.