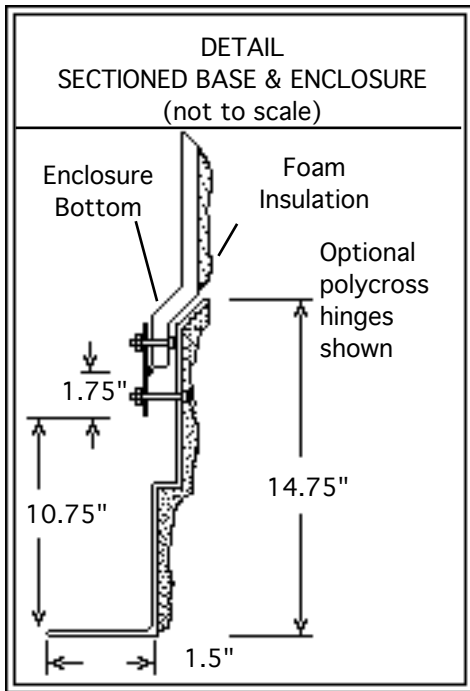
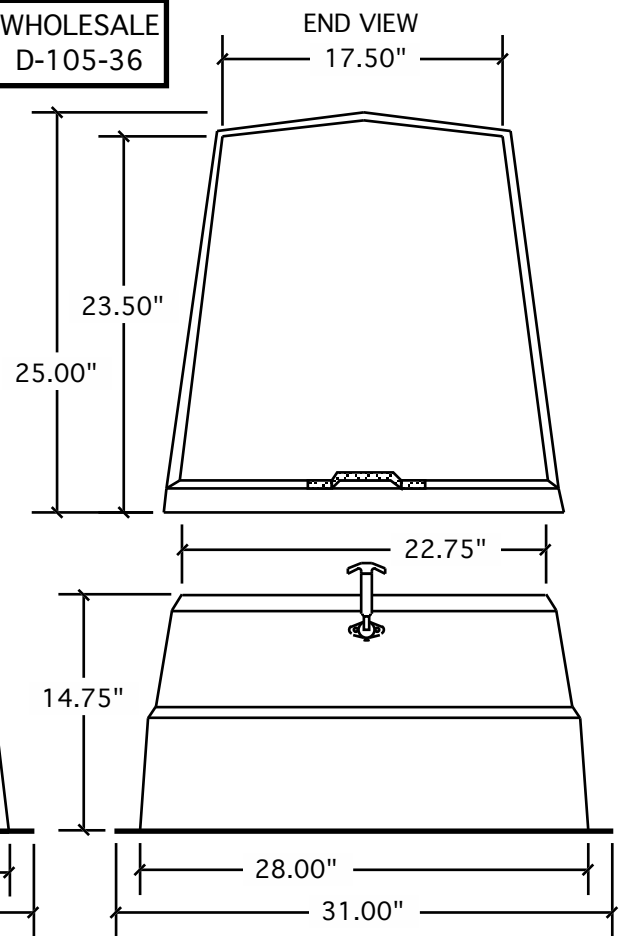
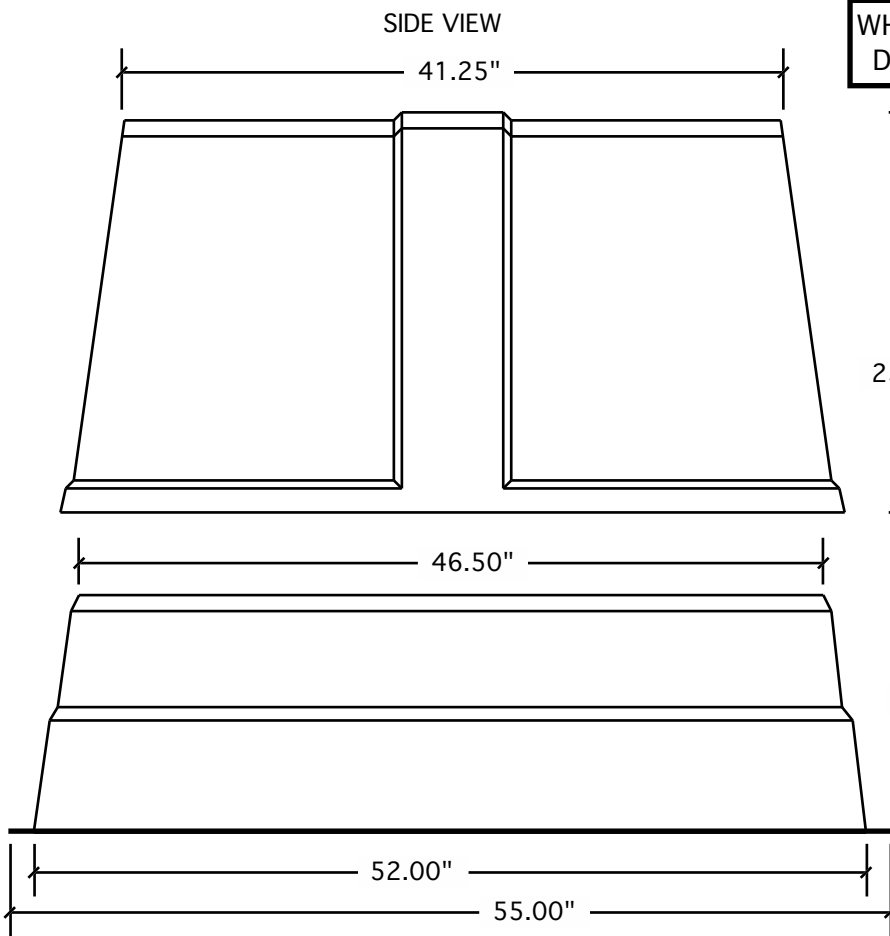
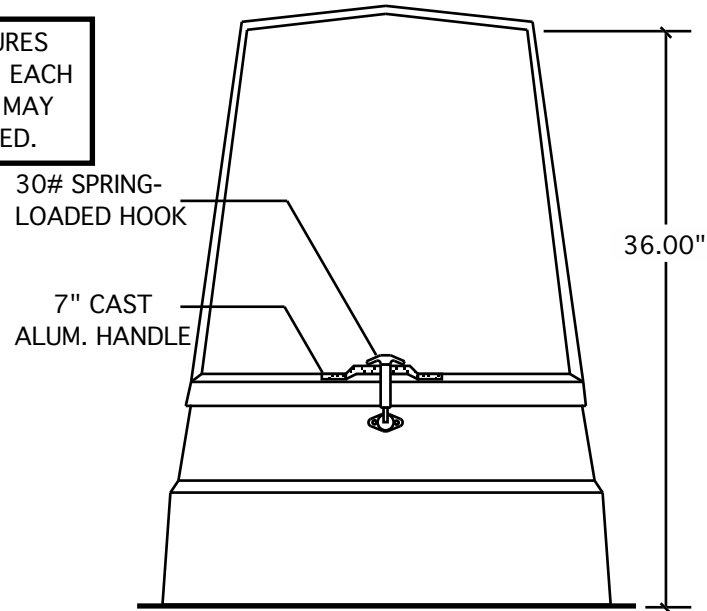


**WHOLESALE
D-105-36**



NOTE: THIS COVER FEATURES A HOOK AND HANDLE ON EACH END. POLY-CROSS HINGES MAY BE SUBSTITUTED IF DESIRED.



The DYER WHOLESALE molded series is a one-piece fiberglass composite construction made with rigid thixotropic resins and 30% chopped glass to a thickness of 1/8". The enclosure is insulated with a 2 lb. polyurethane foam to produce an average R-14 insulation value. The outside surface is white, or dark green, polyester gelcoat with a UV inhibitor. The FRP base has a 1-1/2" mounting flange around the bottom for anchoring. The enclosure is equipped with a 7" cast aluminum handle and a 30# spring-loaded hook on both the front and the rear. Fasteners are 1/4" stainless steel nuts & bolts. 3-1/2" non-metallic hinges may be substituted for a hook-and-handle set at no extra charge. Other specs are available for special needs.

FRP Molded Shelter		D-105-36
Date: 5/01	Scale: 1" = 1'	Dwn: JRP
P.O. Box 311 • Dyer, TN 38330		Ckd: CH
We've Got You Covered!	(731) 692-3986	Fax: (731) 692-4209